



August 02, 2010

Dear Blue Bird Owner,

The Wabco hydraulic brake modulator motor cover on 2009-2011 model year All American and Vision buses equipped with hydraulic brakes delivered from November 28, 2007 through April 10, 2010 may allow water to enter and corrode the modulator motor.

You must contact your Blue Bird dealer to arrange to have this service bulletin performed.

Your buses affected by Service Bulletin S10SG are identified by body number on the attached cover sheet.

Service Bulletin S10SG ends one (1) year from date of issue.

Should you have any questions concerning this bulletin, please contact your Blue Bird dealer.

Sincerely,



Bill Coleman
Engineering Services
Blue Bird Corporation
478-822-2242



Wabco Hydraulic Brake Modulator Motor Cover Drain

BULLETIN

Models Affected: All American, Vision Models Equipped with Hydraulic Brakes

ISSUE

The Wabco hydraulic brake modulator motor cover may fill up with water and corrode motor.

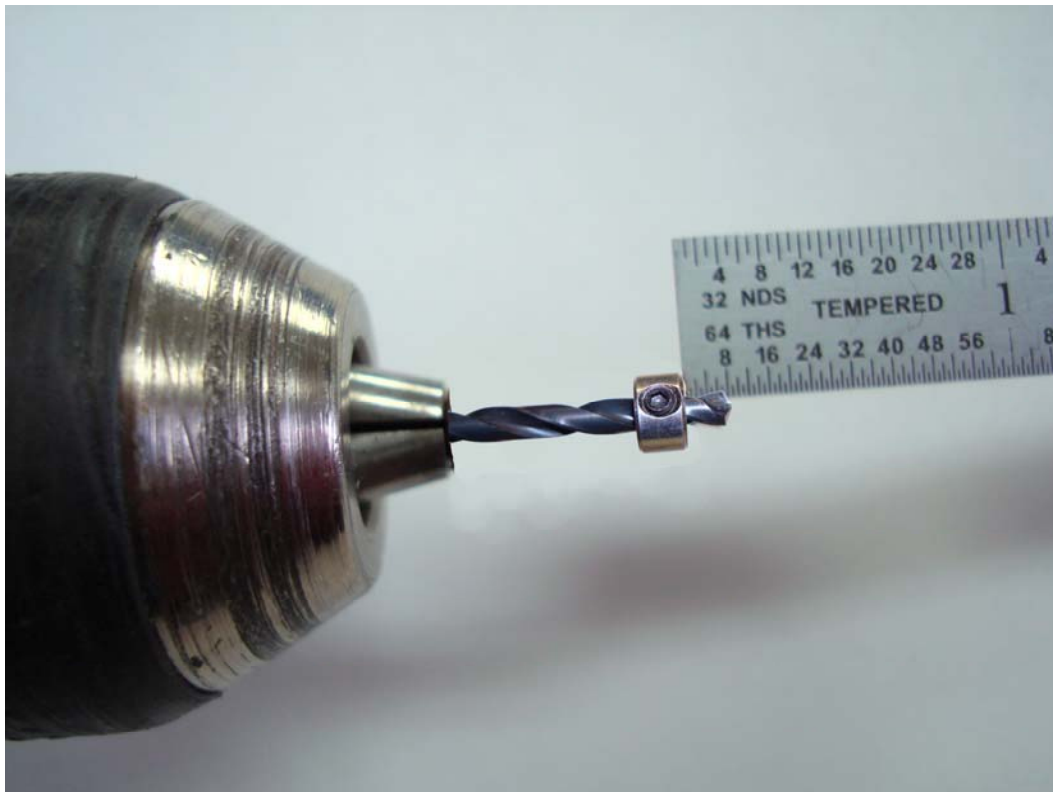
CORRECTIVE ACTION

Drill a 3/32" drain hole in bottom of cover to allow for drainage.

PROCEDURE

WARNING: Always follow all Federal, State, Local and Shop safety standards and use proper safety equipment when performing these procedures.

1. Park bus on level surface, apply parking brake, turn off engine, remove ignition key, and chock wheels.
2. To prevent possible damage to hydraulic modulator, install provided drill stop onto a 3/32nd drill bit, set at 1/8th inch depth.



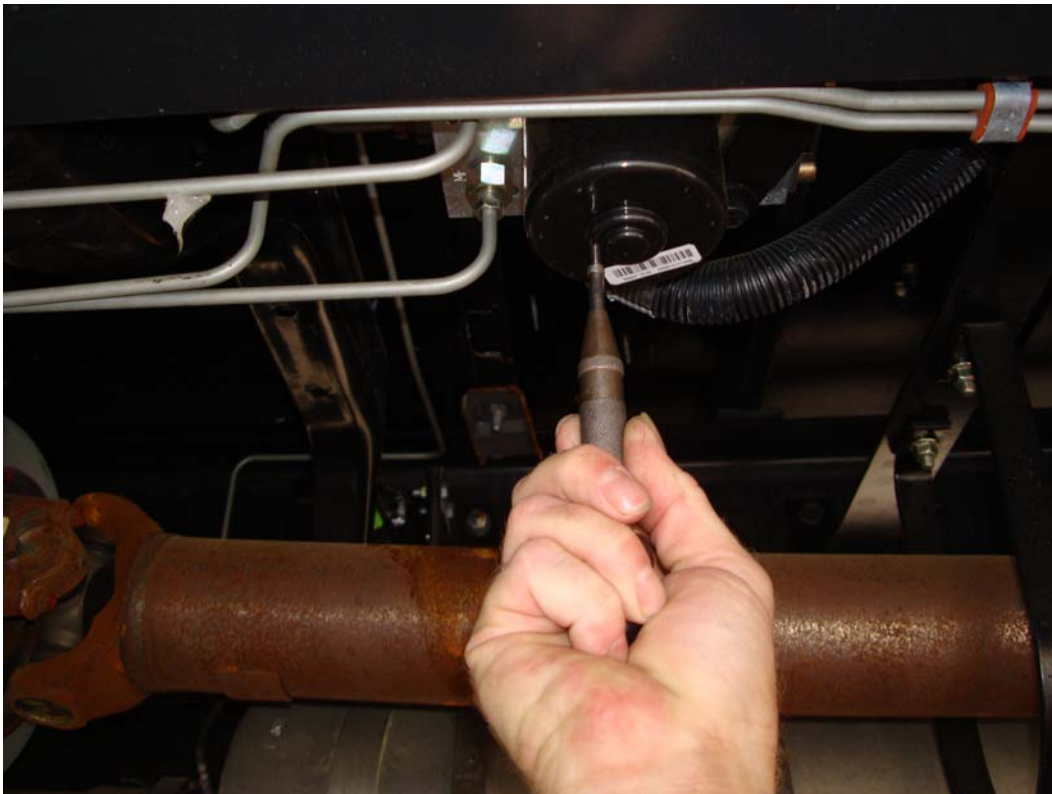
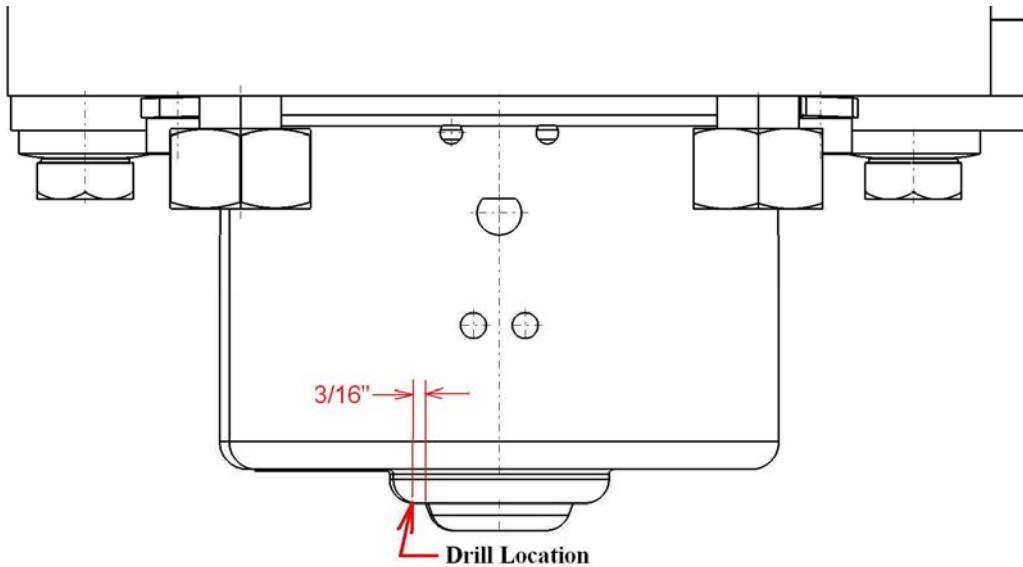
S I O S G

S E R V I C E B U L L E T I N



3. Hydraulic modulator is located under the bus, between the frame rails, on the driver's side. Use a center punch at the location shown below to set the drill location.

Caution: *Drilling in any other location may cause damage to motor.*



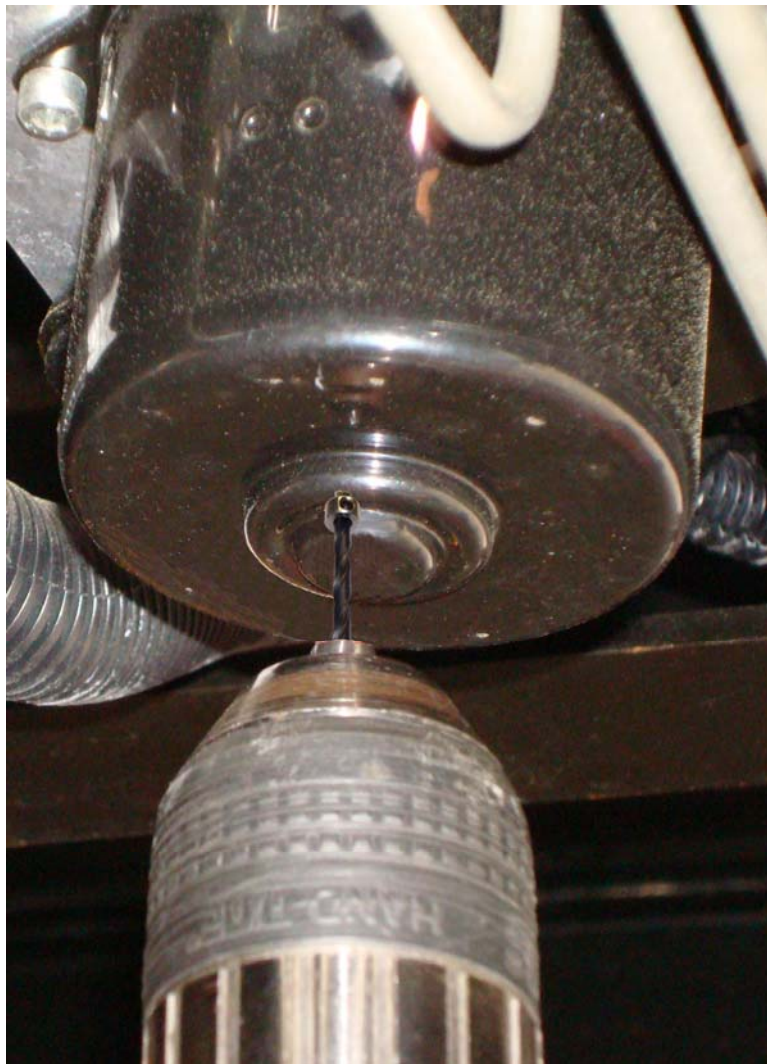


- Carefully drill a 3/32" diameter hole 1/8" deep into the cover.

Caution: Drilling deeper than 1/8th inch may cause damage to motor.

Warning: To prevent electrical shock and/or injury, use a cordless drill or an air powered drill to perform this task. Water may leak from cover when drill bit has penetrated thru the cover material.

Caution: When drilling overhead, wear protective eye wear and appropriate clothing for protection during drilling operation.



- Remove wheel chocks and return unit to service.