



WINDSHIELD WIPER IMPROVEMENT

UPDATE

Models Affected: 2007-10 Model Year Vision Buses with Single Wiper Motor System

Due to variations in the location of the windshield wiper motor between the pivot points, it may be necessary to replace one of the links of the windshield wiper linkage on the side that requires adjustment with the appropriate Blue Bird service part listed below.

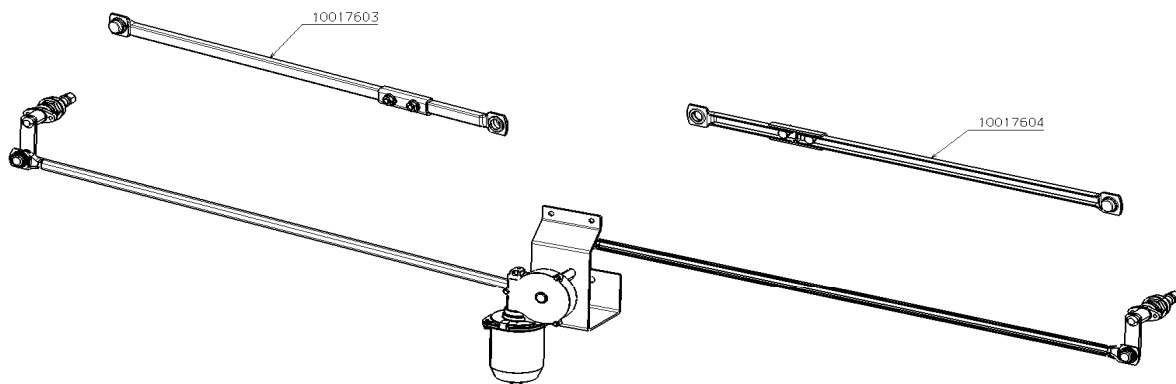
Wiper system improvement can be achieved without changing both links.

If needed, detailed instructions are available from your Field Service Representative.

Part No. Description

10017603 LINK ASSY,WIPER,24.75,16MM,BALL DRIVE,ADJ,LH (Driver's Side)

10017604 LINK ASSY,WIPER,24.75,16MM,BALL DRIVE,ADJ,RH (Curb Side)



S U 1 1 0 1

S E R V I C E U P D A T E