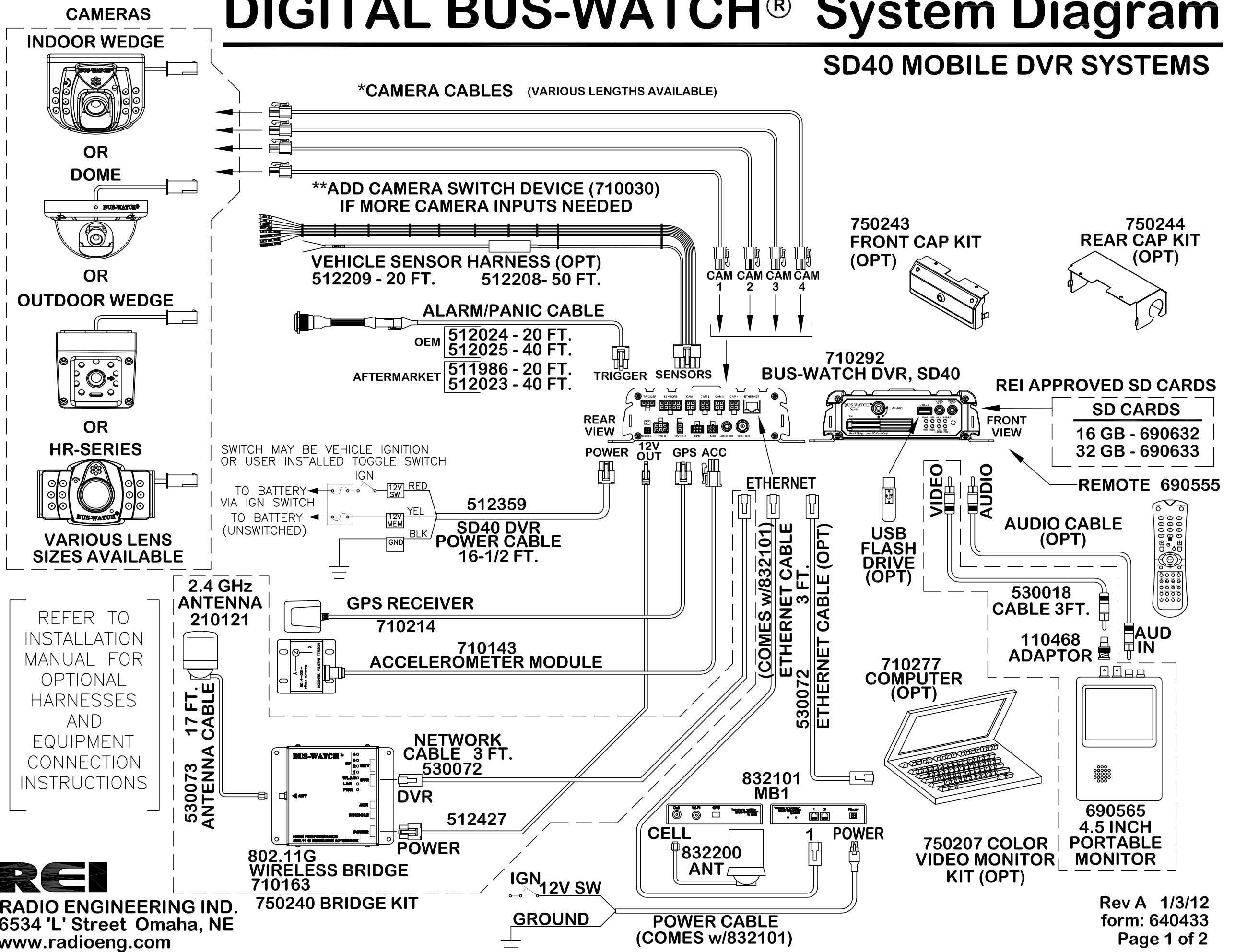


DIGITAL BUS-WATCH® System Diagram

SD40 MOBILE DVR SYSTEMS

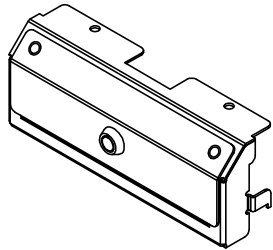


RADIO ENGINEERING IND.
6534 'L' Street Omaha, NE
www.radioeng.com

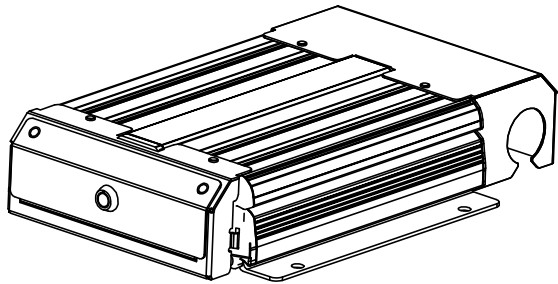
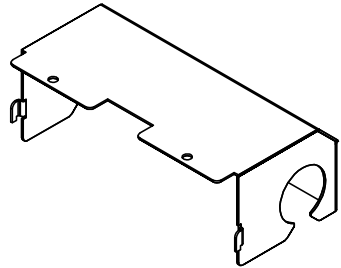
DIGITAL BUS-WATCH® SD40 Mobile DVR

ENDCAP OPTIONS

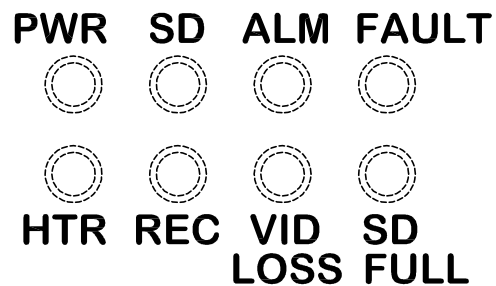
750243
FRONT ENDCAP KIT



750244
REAR ENDCAP KIT



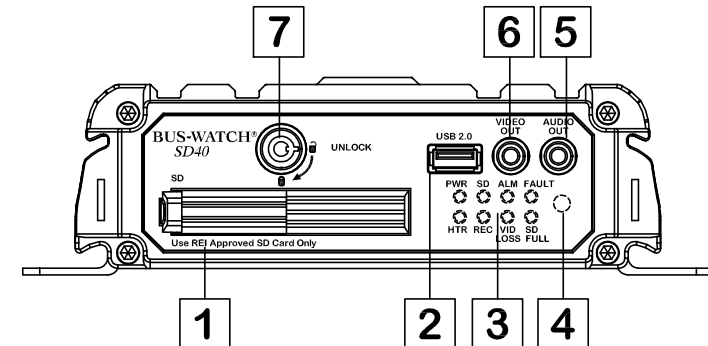
STATUS INDICATORS, FRONT PANEL



LABEL	COLOR	FUNCTION
PWR	BLUE	Power On Indicator (DVR On)
SD	GREEN	SD Card Activity
ALM	ORANGE	*Alarm condition present
FAULT	ORANGE	Fault Detection Indicator
HTR	ORANGE	Heater Active
REC	GREEN	Record Indicator
VID LOSS	RED	*Video signal loss from camera
SD FULL	RED	*SD Card Full

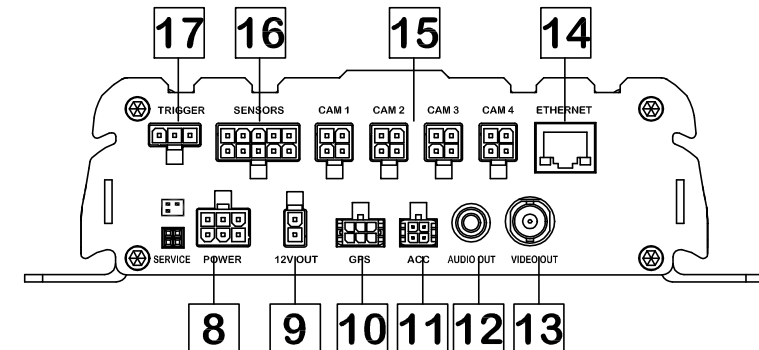
*User programmable feature.

FRONT PANEL LAYOUT



- 1 SD CARD SLOT (DOOR CLOSED)
- 2 USB 2.0 CABLE CONNECTION
- 3 LED STATUS INDICATORS, (8 INDICATORS)
- 4 REMOTE I.R. SENSOR
- 5 AUDIO OUTPUT CONNECTOR
- 6 VIDEO OUTPUT CONNECTOR
- 7 SD CARD DOOR LOCK

REAR PANEL LAYOUT



- 8 POWER CABLE CONNECTION
- 9 ACCESSORY POWER
- 10 GPS (GPS RECEIVER CONNECTION)
- 11 ACC (ACCELEROMETER MODULE CONNECTION)
- 12 AUDIO OUTPUT CONNECTION
- 13 VIDEO OUTPUT CONNECTION
- 14 ETHERNET CABLE CONNECTION
- 15 CAMERA INPUTS (CAM 1-4)
- 16 SENSORS (VEHICLE SENSOR CABLE CONNECTION)
- 17 TRIGGER (ALARM/PANIC CABLE CONNECTION)