

**R05KA**

October 19, 2005

Dear Blue Bird Owner:

This notice is sent to you in accordance with the requirements of the National Traffic and Motor Vehicle Safety Act.

Blue Bird has decided that a defect which relates to motor vehicle safety exists in the following model year school buses equipped with a battery disconnect switch.

2001 through 2006 model year All American transit school buses  
manufactured from January 09, 2001 through June 18, 2005.

Blue Bird 2001 through 2003 model year TC/2000 transit school buses  
manufactured from January 05, 2001 through January 10, 2003..

2004 through 2006 model year "Vision" conventional school buses  
manufactured from October 22, 2003 through July 15, 2005

The defect involves the wiring connections at the battery disconnect switch. Loose wiring connections may cause the bus to shutdown while in operation. An engine shutdown while in operation could result in the vehicle coming to a stop in a potentially hazardous location which could result in a vehicle crash causing injury or death to occupants.

Blue Bird is conducting a recall to correct this defect. Buses with battery disconnect switches must be inspected and, if necessary, corrected according to the attached instructions.

Your Blue Bird bus(es) affected by recall R05KA are identified by body serial number(s) on the enclosed reply sheets.

If you no longer own the subject bus(es), please complete the appropriate section of the yellow reply sheet and return to Blue Bird in the enclosed pink postage prepaid envelope.

To receive parts required to correct this condition, confirm your correct **shipping** address, sign and return the enclosed **yellow** parts request sheet and return it to Blue Bird in the enclosed **pink** postage prepaid reply envelope. Parts will be shipped “No Charge” to you via UPS.

A qualified technician should perform this modification or you may contact your Blue Bird distributor for assistance. Labor time required to inspect battery disconnect switch connections is 0.3 hrs (18 minutes) per bus. If battery switch must be replaced, labor time to remove and replace battery switch is 0.5hrs (30 minutes) per bus.

Reimbursement for labor may be obtained by completing the pink request for reimbursement sheet provided and returning it to Blue Bird in the enclosed pink postage prepaid envelope.

If the modifications/repair directed by this notification was performed on your bus prior to the receipt of this recall notification, complete and sign the pink recall reply sheet and attached a copy of the work order/invoice. Mail the documents in the pink self-addressed postage paid envelope included with the recall notification to Blue Bird for warranty consideration. Reimbursements will be made in accordance with the requirements of the National Highway Transportation Safety Act, title 49 Code of Federal Regulations, Parts 573 and 577.

Federal law requires that any vehicle lessor receiving this recall notice must forward a copy of this notice to the lessee within ten days. If Blue Bird Body Company should fail to or is unable to remedy this condition without charge to you, you may contact:

**ADMINISTRATOR  
NATIONAL HIGHWAY TRAFFIC SAFETY ADMINISTRATION  
400 SEVENTH STREET, SW  
WASHINGTON, D.C. 20590**

or you may call The National Highway Traffic Safety Administration toll free at:

1-888-327-4236  
TTY 1-800-424-9153

Or go to : [HTTP://WWW.SAFECAR.GOV](http://WWW.SAFECAR.GOV)

Questions regarding this recall campaign should be directed to me at (478) 822-2242.

Thank you,

Bill Coleman  
Recall Administrator  
**BLUE BIRD BODY COMPANY**



# Battery Switch Connections

MODELS AFFECTED: Vision, All American, TC2000

# RECALL

## ISSUE

Loose connections on the Battery Disconnect Switch may cause bus to shut down while in operation.

## CORRECTIVE ACTION

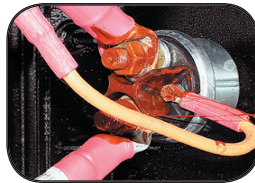
This procedure involves inspecting the Battery Disconnect Switch connections and wiring, replacement of the nuts on the 10-32 terminal studs with Nylock nuts, and changing the stacking order of the star washers on the 10-32 terminal studs.

## PROCEDURE

**1** Park the bus on a level surface. Remove the ignition key and chock the rear wheels. Disconnect the negative battery cable from the battery.

**2** Ensure the security of the connections on the back of the Battery Quick Disconnect Switch as follows:

2.1 Locate the switch body under the bus on the rear wall of the battery compartment. Locate the two smaller terminals, one on the positive and one on the negative side of the switch.



2.2 Remove the nuts, star washers, and cable ends from the 10-32 studs.

On Blue Bird Vision installations, a jumper cable (0074324) is attached between the two (one large and one small) positive-side terminals. This jumper is not required on All American or TC2000 models. On Vision, reinstall the connection on the positive-side 10-32 stud which has two cables with components in this stacking order:

1. Star Washer
2. Cable
3. Star Washer
4. Cable (Turn cable connector barrel ~90 degrees from first cable.)
5. Nylock Nut (0043743). Torque to 14 in. lbs.

If the jumper cable is absent on a Blue Bird Vision, install one as shown in the illustration on page 2.

On the other 10-32 stud on Vision, and on both 10-32 studs on All-American and TC2000, reinstall the connection(s) with components in this stacking order:

1. Star Washer
2. Hex Nut. Torque to 14 in. lbs.
3. Cable
4. Star Washer
5. Nylock Nut (0043743). Torque to 14 in. lbs.

2.3 Using a cable tie (0029999), secure the smaller 4 gauge wire to the adjacent battery cable.

2.4 Check the two large studs for solid connection. Torque to 100 in. lbs.

**3** After making sure all connections are secure and properly tightened, apply red enamel glyptal sealant (GE 1201) or equivalent to all four connectors.

**4** Reconnect battery negative cable and remove wheel chocks. The procedure is complete.

**WARNING** Do not add connections to the 10-32 terminal studs. Any additional equipment circuits added to the switch by the customer must be attached to the large terminals.

PART	QTY	DESCRIPTION
0043743	2	Nylock Nut
0029999	1	Cable Tie
0074324	as required	Cable Assembly, Jumper, Disconnect
1902337	as required	Double Pole Battery Disconnect Switch

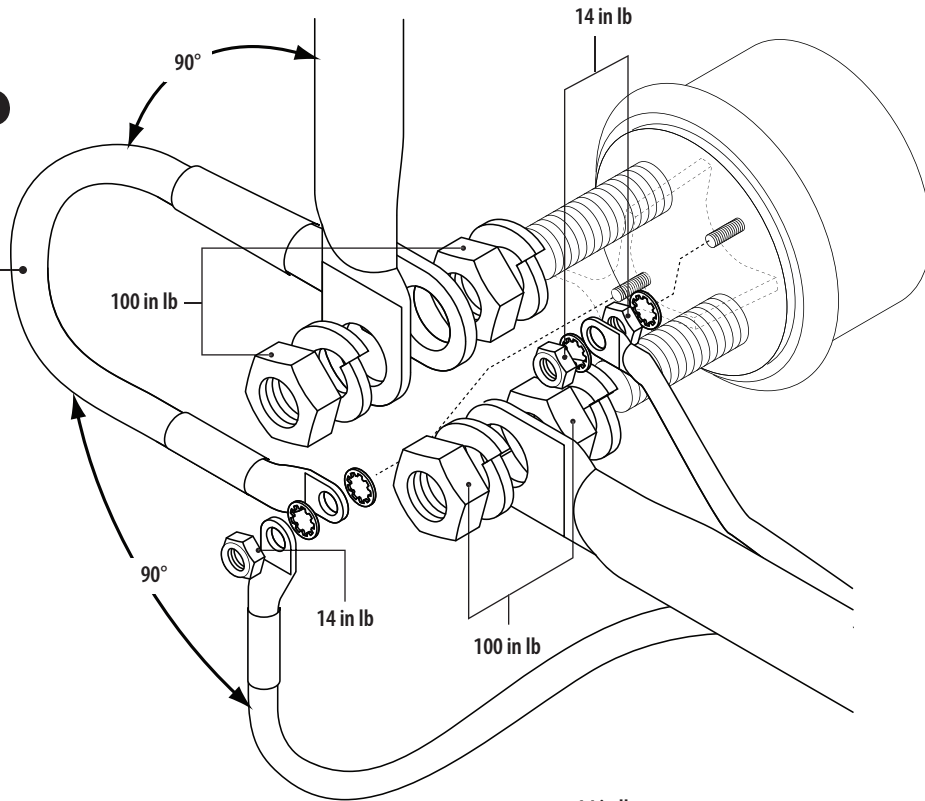
R05KA

RECALL CAMPAIGN

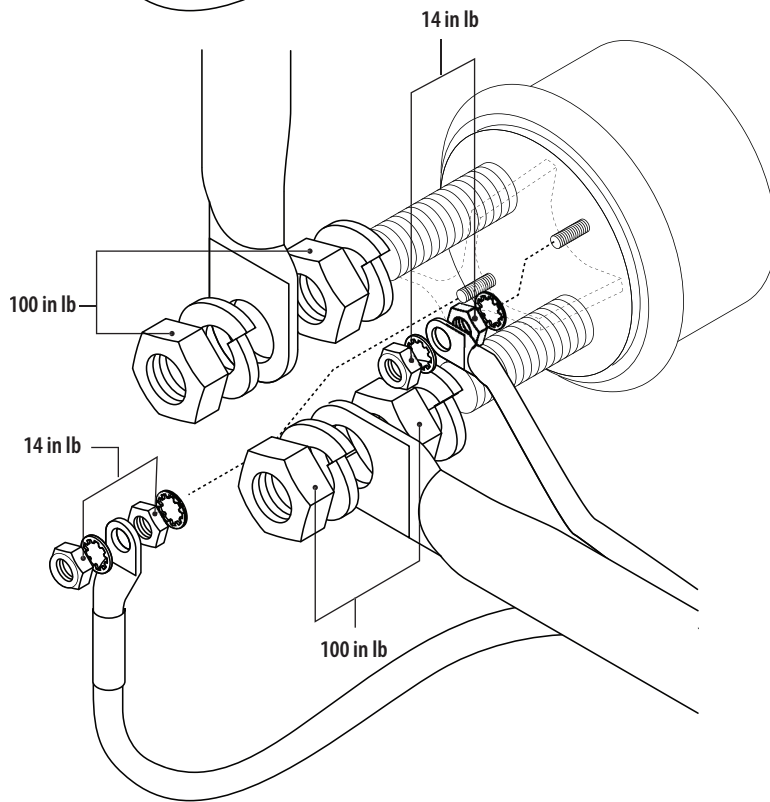


## Vision

Install Positive Side Jumper Cable on Blue Bird Vision if one is not present.



## All American & TC2000



R05KA  
R E C A L L C A M P A I G N