



Wabco Hydraulic Brake Modulator Bracket and Tubing

UPDATE

Models Affected: 2009 - 2011 Vision (BBCV), All American (A3FE, D3FE) with Hydraulic Brakes

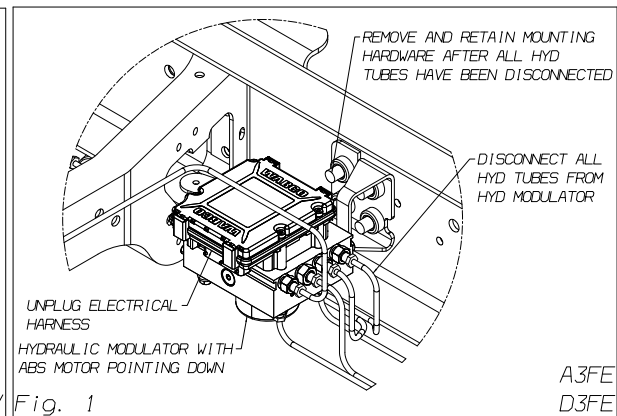
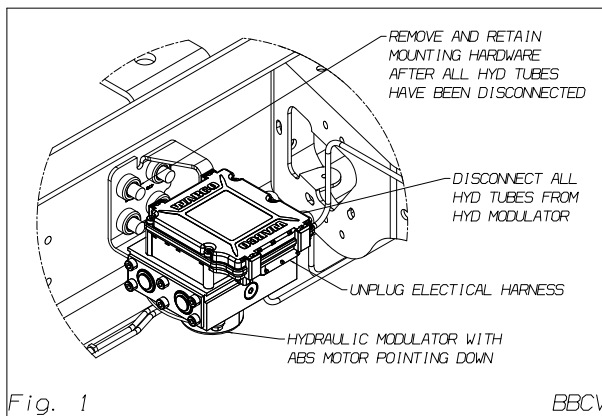
When replacing a defective Wabco Hydraulic Brake Modulator (BB# 10005084) and the modulator has the motor oriented pointing toward the ground (downward)(Fig. 1), you should replace the modulator mounting bracket and six hydraulic tubes.

WARNING: Always follow all Federal, State, Local and Shop safety standards and use proper safety equipment when performing these procedures. Thoroughly read and understand all instructions before performing this procedure.

Park the bus on a level surface, apply parking brakes, switch engine off, remove ignition key and chock wheels.

CAUTION: Cover all openings in the hydraulic system to prevent contamination.

- Fig. 1
 - Unplug electrical harness.
 - Disconnect all hydraulic tubes from the hydraulic modulator.
 - Remove modulator from frame rail and retain mounting hardware.



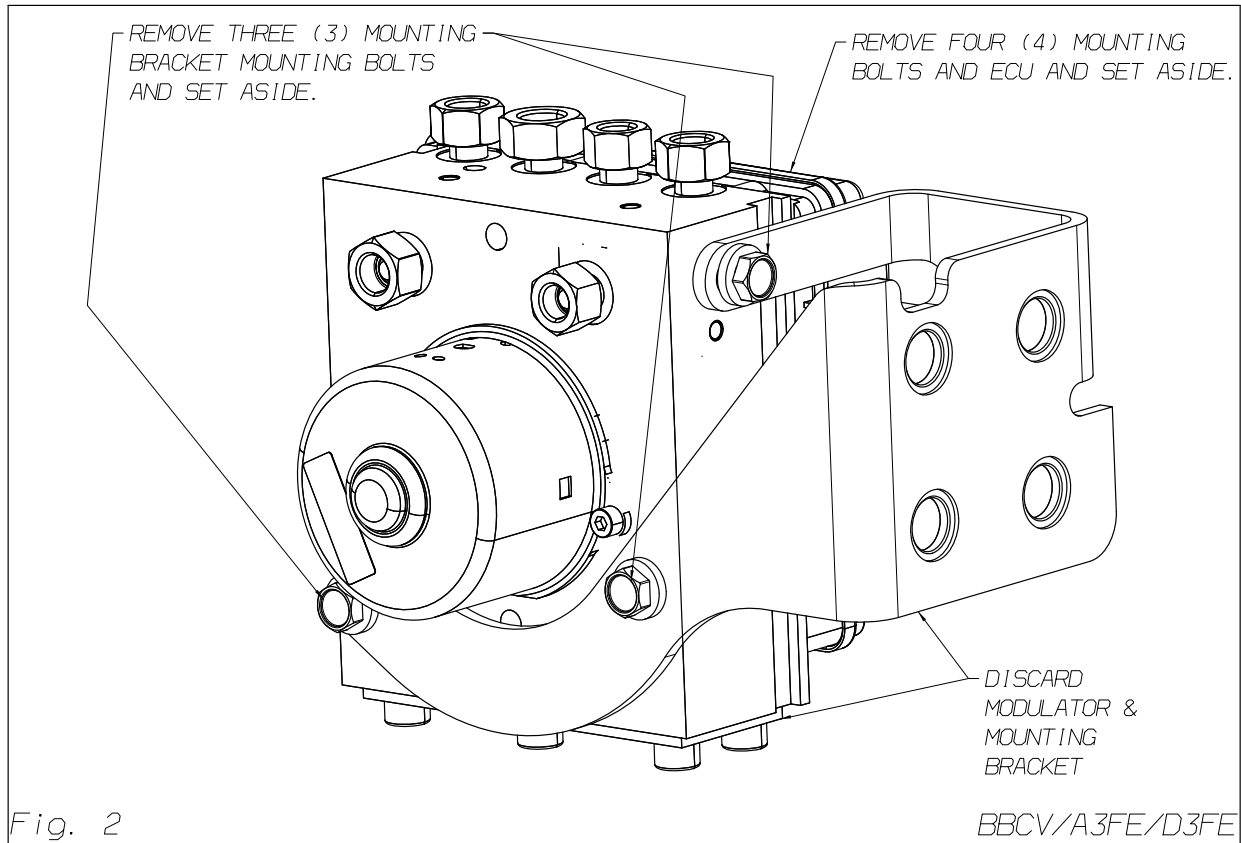
S U 1 1 0 4

S E R V I C E U P D A T E

Wabco Hydraulic Brake Modulator Bracket and Tubing

UPDATE

- Fig. 2
 - Remove three (3) mounting bracket mounting bolts and set aside.
 - Remove four (4) mounting bolts and ECU and set aside.
 - Discard old modulator and mounting bracket.



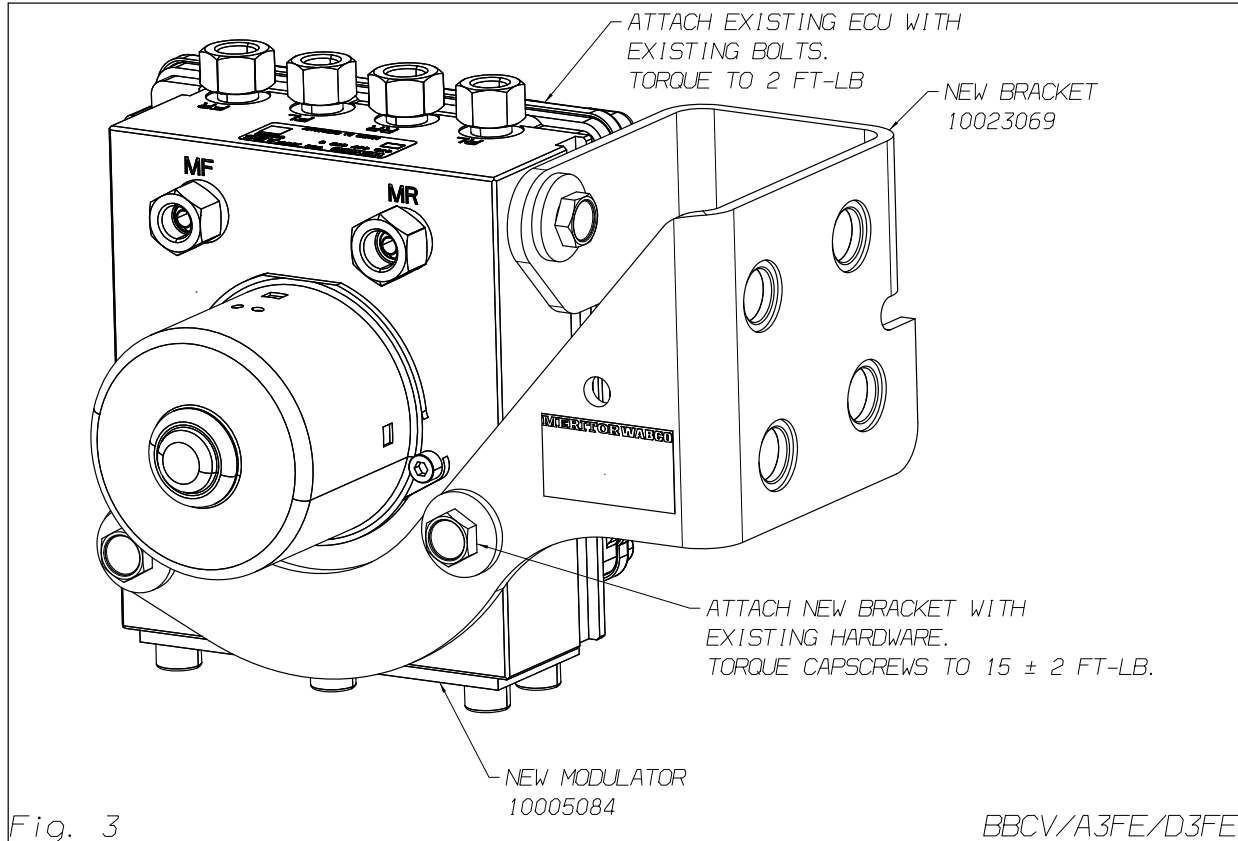
S U 1 1 0 4

S E R V I C E U P D A T E

Wabco Hydraulic Brake Modulator Bracket and Tubing

UPDATE

- Fig. 3
 - Attach new mounting bracket (BB# 10023069) with existing hardware to the new modulator. Torque: 15 +/- 2 ft-lb.
 - Attach existing ECU to new modulator with existing bolts. Torque: 2 ft-lb



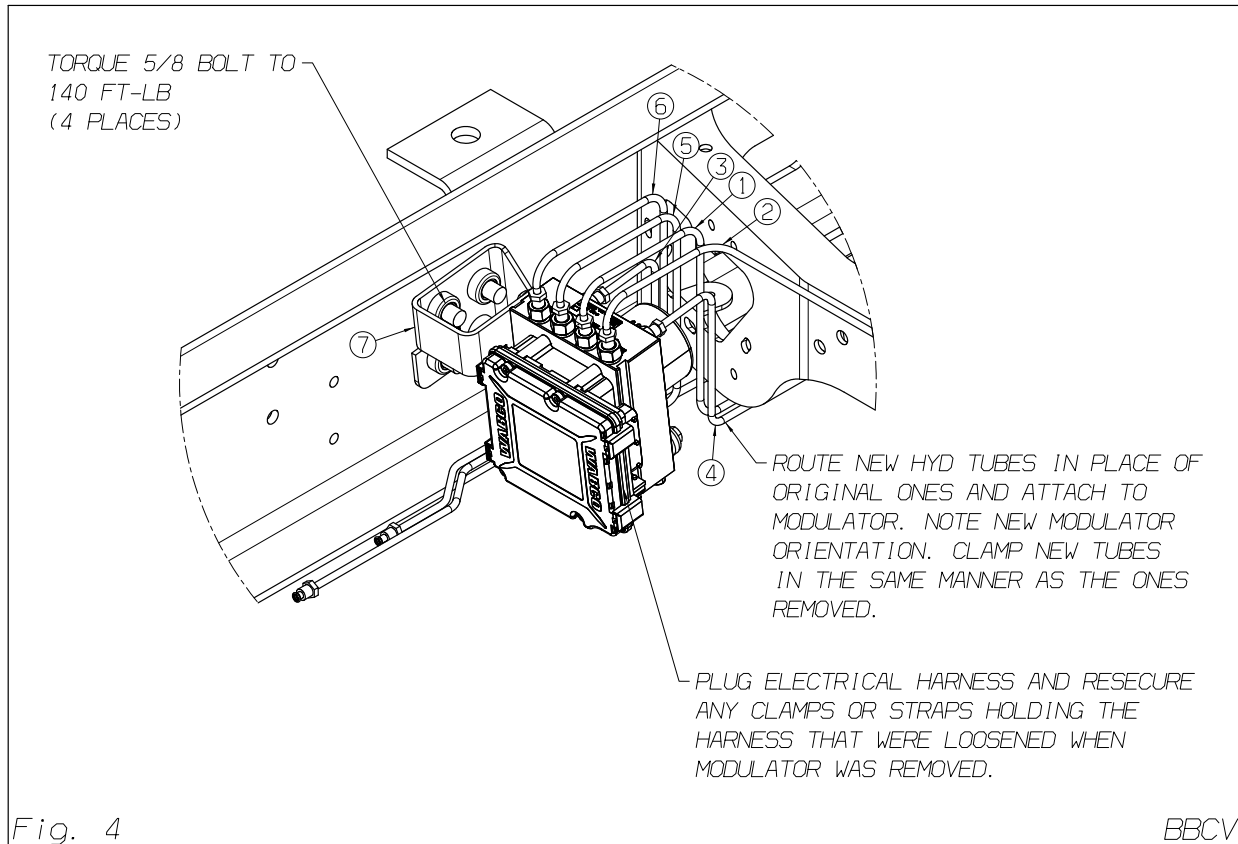
S U 1 1 0 4

S E R V I C E U P D A T E

Wabco Hydraulic Brake Modulator Bracket and Tubing

UPDATE

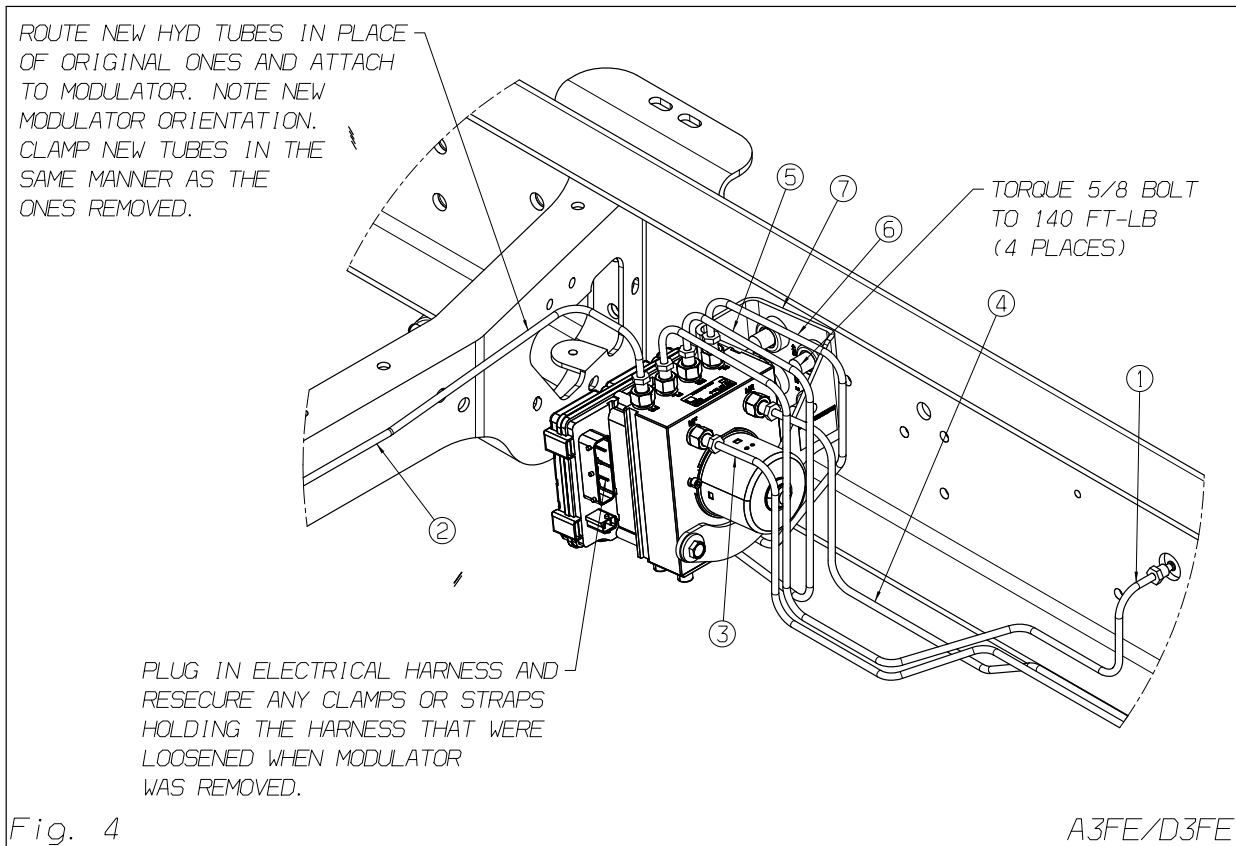
- Fig. 4
 - Attach modulator assembly to frame rail with existing mounting hardware. Torque: 140 ft-lb.
 - Route new hydraulic tubes in place of original tubes and attach to modulator. Note new modulator orientation. Clamp new tubes in the same manner as the ones removed.
 - Plug in electrical harness and re-secure any clamps or straps holding the harness that were loosened when modulator was removed.
 - See Fig. 4 on page 5 for A3FE/D3FE illustration.



BBCV			
Item	Part #	Description	Qty
1	10014218	TUBE ASSY,STEEL,HYD BRK,LH FRT,BBCV	1
2	10014220	TUBE ASSY,STEEL,HYD BRK,RH,FRT,BBCV	1
3	10014223	TUBE ASSY,STEEL,HYD BRK,SECONDARY,BBCV	1
4	10014224	TUBE ASSY,STEEL,HYD BRK,PRIMARY,BBCV	1
5	10014222	TUBE ASSY,STEEL,HYD BRK,RR,RH,BBCV	1
6	10014221	TUBE ASSY,STEEL,HYD BRK,RR,LH,BBCV	1
7	10023069	BRACKET,MOUNT,ADDON HYD ABS MODULATOR,TILTED	1

Wabco Hydraulic Brake Modulator Bracket and Tubing

UPDATE



A3FE/D3FE			
Item	Part #	Description	Qty
1	10014492	TUBE ASSY,STEEL,HYD BRK,FRT,LH,FE	1
2	10014493	TUBE ASSY,STEEL,HYD BRK,FRT,RH,FE	1
3	10014497	TUBE ASSY,STEEL,HYD BRK,SECONDARY,FE	1
4	10014496	TUBE ASSY,STEEL,HYD BRK,PRIMARY,FE	1
5	10014495	TUBE ASSY,STEEL,HYD BRK,RR,RH,FE	1
6	10014494	TUBE ASSY,STEEL,HYD BRK,RR,LH,FE	1
7	10023069	BRACKET,MOUNT,ADDON HYD ABS MODULATOR,TILTED	1

After installation, the brake system must be bled before operating the bus. This must be done according to the Blue Bird Service Manual procedure for the Meritor Wabco ABS system. See Brakes, Appendix 2 (Meritor Hydraulic ABS Maintenance Manual No. 39) for brake bleeding procedure.

WARNING: Dispose of used fluid in accordance with all Federal, State, and Local regulations.