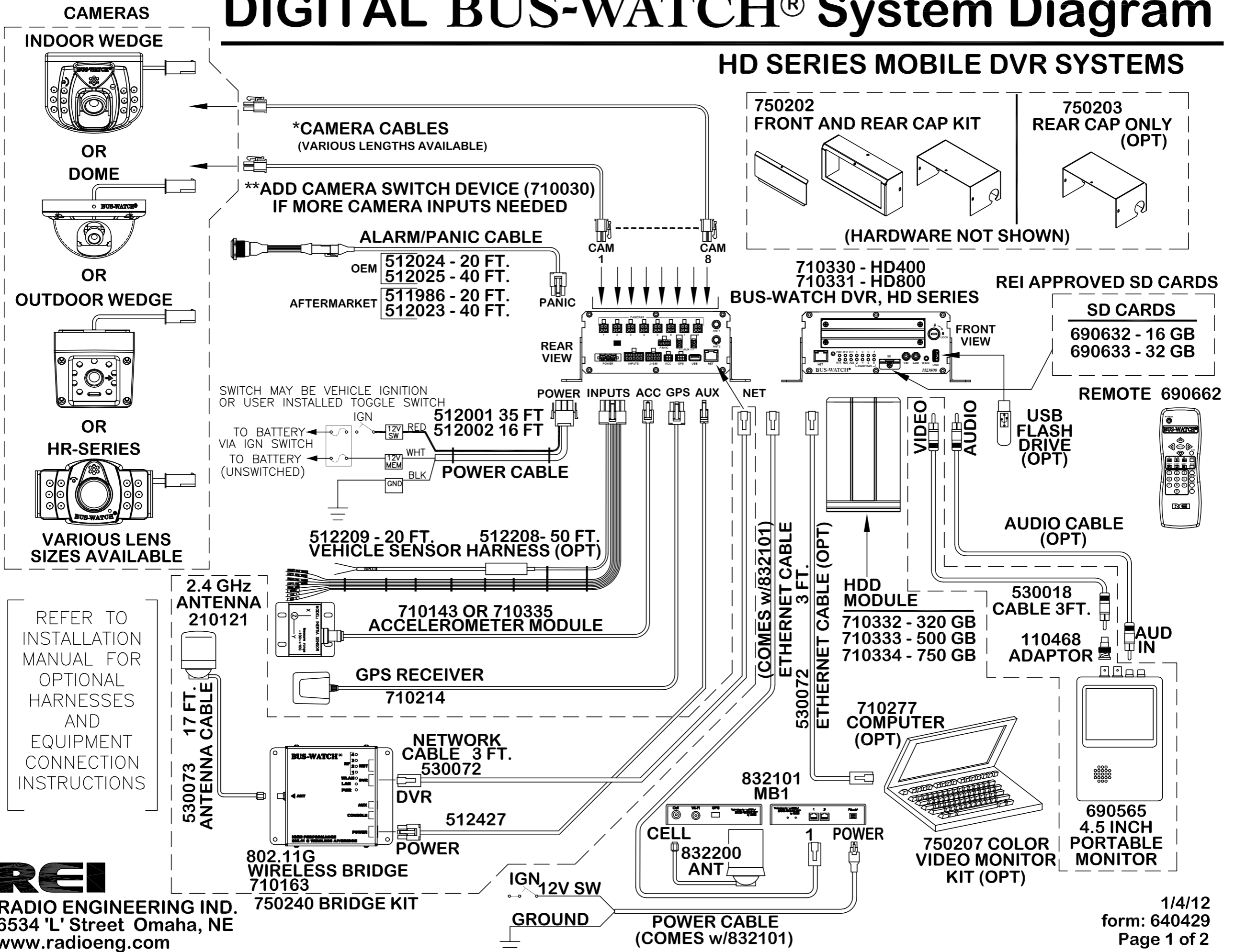


# DIGITAL BUS-WATCH® System Diagram

## HD SERIES MOBILE DVR SYSTEMS









**RADIO ENGINEERING IND.**  
 6534 'L' Street Omaha, NE  
 www.radioeng.com

## Status Indicators, Front Panel

LABEL	COLOR	FUNCTION
PWR	Blue	Power Indicator
HTR	Orange	Heater Activity
REC	Green	Record Indicator
HDD	Green	HDD Activity (R/W)
FLT	Red	Fault Indicator
ALM	Amber	Alarm Indicator
CAMERA 1- 4 or 8	Green	Camera Video Indicators

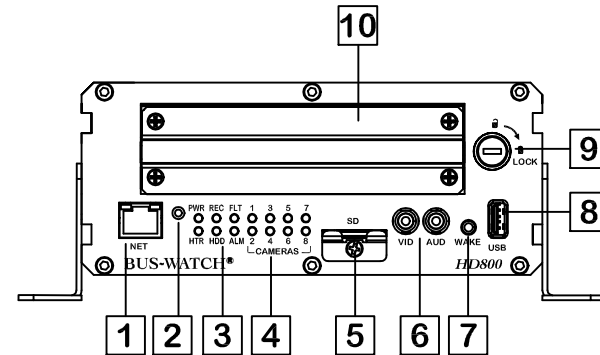
## Alarm and Fault Indicators

	Pattern	DVR Status
FLT   ALM	1 short flash every 4 seconds	Blind Camera
	2 short flashes every 4 seconds	Video Loss / Camera Fault
	3 short flashes every 4 seconds	HDD Fault
	4 short flashes every 4 seconds	System Fault
FLT   ALM	fast flash	SD or USB Write in progress
	1 short flash every second	Alarm video on SD or USB
	1 short flash every 2 seconds	Protected Alarm video on HDD
	1 short flash every 4 seconds	Alarm video on HDD
	solid/1 short off every 4 seconds	Panic Alarm in-progress
	solid/2 short offs every 4 seconds	Speed Alarm in-progress
	solid/3 short offs every 4 seconds	Acceleration Alarm in-progress
	solid/4 short offs every 4 seconds	Input Alarm in-progress
FLT   ALM	fast flash together	Firmware Update in-progress
	fast flash alternating	Configuration load in-progress
	flash together 1 per second	SD or USB Full

## Power Indicator

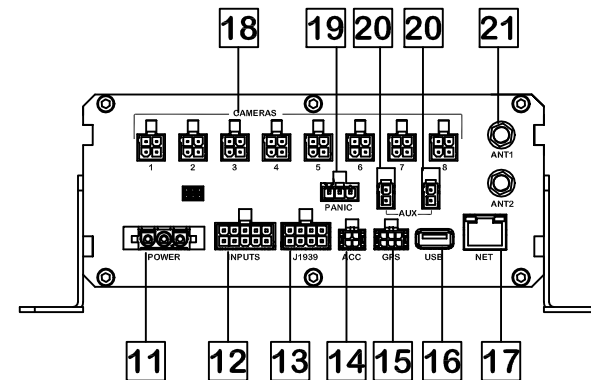
Pattern	DVR Status
on solid	DVR on (normal)
solid / 1 short off every 4 seconds	DVR on / cameras off (low power mode)
1 short flash every 4 seconds	Standby - waiting for ignition
2 short flashes every 4 seconds	Standby - waiting for time
3 short flashes every 4 seconds	Standby - waiting for time OR ignition
4 short flashes every 4 seconds	Standby - waiting for time AND ignition

## FRONT PANEL LAYOUT



- |                              |                         |
|------------------------------|-------------------------|
| 1 FRONT NETWORK PORT         | 6 AUDIO / VIDEO OUTPUTS |
| 2 REMOTE IR SENSOR           | 7 WAKE BUTTON           |
| 3 STATUS INDICATORS (6)      | 8 USB 2.0 PORT          |
| 4 CAMERA INDICATORS (4 OR 8) | 9 HDD KEY LOCK          |
| 5 SD CARD SLOT               | 10 REMOVABLE HDD MODULE |

## REAR PANEL LAYOUT



- |                                   |                                       |
|-----------------------------------|---------------------------------------|
| 11 POWER INPUT                    | 17 REAR NETWORK PORT                  |
| 12 VEHICLE SENSOR INPUTS          | 18 CAMERA INPUTS (1-4 or 8)           |
| 13 J1939 INPUT                    | 19 PANIC BUTTON INPUT                 |
| 14 ACCESSORY (ACCELEROMETER) PORT | 20 AUX POWER OUT (2)                  |
| 15 GPS PORT                       | 21 WI FI ANTENNA JACKS (OPTIONAL) (2) |
| 16 USB 1.0 PORT                   |                                       |