

## **R01EM**

March 15, 2001

Dear Blue Bird Owner:

This notice is sent to you in accordance with the requirements of the National Traffic and Motor Vehicle Safety Act.

Blue Bird Body Company has determined that a defect, which relates to motor vehicle safety, exists in certain Blue Bird 2000 and 2001 model year buses manufactured from January 28, 2000 through October 02, 2000. Subject buses are equipped with combination Spicer J230 rear axle, spring suspension and Crewson Brunner automatic slack adjusters.

Models affected are the All American and TC/2000 school and transit buses, Commercial Series and Q-Bus transit buses. Blue Bird is conducting a recall to correct this defect.

The defect involves the Crewson Brunner slack adjuster contacting the u-bolt bracket when bus is equipped with combination of components listed above.

Blue Bird Body Company's evaluation of the risk to motor vehicle safety is contact of the slack adjuster against the u-bolt bracket does not allow for full rotation of slack adjuster when brakes are applied with potential for reduced braking effort.

You should have this condition corrected immediately. Your Blue Bird bus(es) affected by recall R01EM are identified by body serial number(s) on the enclosed reply sheets. If you no longer own the subject bus(es), please complete the appropriate section of the yellow reply sheet and return to Blue Bird in the enclosed pink postage prepaid envelope.

To receive parts required to correct this condition, sign and return the enclosed **yellow** parts request sheet and return it to Blue Bird in the enclosed pink postage prepaid reply envelope. Modification parts will be shipped "No Charge" to you via UPS.

**R01EM**

Page 2

You may perform this modification yourself or have the work done by a qualified repair facility convenient to you. You may contact your Blue Bird distributor for assistance. Reimbursement for labor may be obtained by completing the pink request sheet provided and returning it to Blue Bird in the enclosed pink postage prepaid envelope. Time required to perform recall R01EM is two (2) hours per bus.

Important: Your prompt return of the pink reimbursement sheet, complete with the correct Body Serial Numbers, permits Blue Bird to update the record indicating recall has been completed and prevents the mailing of a second notice. This is much appreciated. We regret any inconvenience this may have caused.

If Blue Bird Body Company should fail to or is unable to remedy this condition without charge to you, you may contact:

**ADMINISTRATOR  
NATIONAL HIGHWAY TRAFFIC SAFETY ADMINISTRATION  
WASHINGTON, D.C. 20590**

or you may call The National Highway Traffic Safety Administration toll free at:

1-888-327-4236

Questions regarding this recall campaign should be directed to me at (912) 822-2242.

Thank you,

Bill Coleman  
Recall Administrator

**BLUE BIRD BODY COMPANY**

## **RECALL R01EM**

### **INSTRUCTIONS FOR SLACK ADJUSTERS INSPECTION/CORRECTION AND REPLACING U-BOLT BRACKETS ON REAR AXLE**

**Important: Read all instructions carefully before beginning work.**

1. Park the vehicle on a level surface.
2. Remove keys from ignition.
3. Chock wheels
4. Place jack stands under frame rails as close to rear axle as possible (either in front or rear of spring hanger brackets).

#### **REAR AXLE BRAKE SLACK ADJUSTER**

1. With wheels chocked, build air pressure in the brake system until maximum, then release parking brake and check slack setup.
2. Crewson Brunner slacks have a stroke indicator that is mounted to the automatic slack adjuster. This indicator shows both the correct setup position and the air chamber stroke. With the slack adjuster setup correctly, the yellow pointer will be in the area marked "HOME" (White area). If the Crewson Brunner is setup incorrectly, the setup must be corrected by following the attached information from Crewson Brunner.

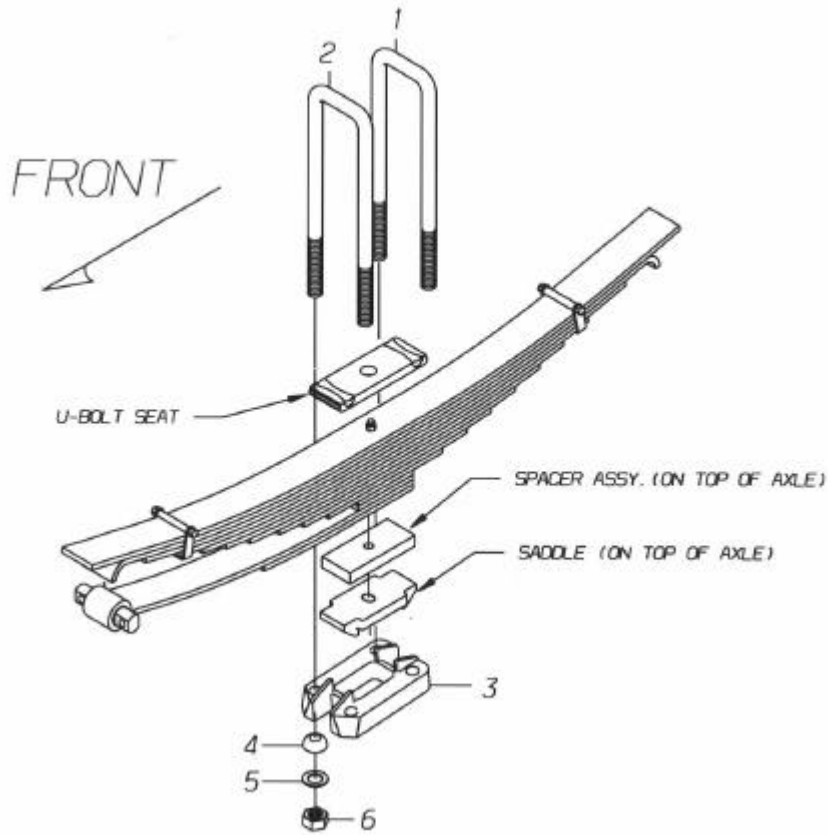
NOTE: A template is required for correcting clevis location and one template will be supplied to distributor or customer.

#### **REAR AXLE U-BOLT BRACKET REPLACEMENT**

1. Remove u-bolt nuts (Item 6), hardened flat washers (Item 5) and spherical washers (Item 4) in Illustration 1. Note: On units with options for shock absorbers and/or stabilizers bars, support these brackets while removing these fasteners. Discard nuts (Item 6) and flat washers (Item 5). Retain spherical washers (Item 4) and other brackets that may be removed.

2. Remove u-bolt bracket (Item 3) and u-bolts (Item 1 and Item 2). DO NOT remove saddle, spacer assembly or u-bolt seat as shown in Illustration 1. Discard u-bolt bracket (Item 3) and u-bolts (Item 1 and Item 2). If the u-bolt seat moves out of position, re-install before installing new u-bolts.
3. Install new u-bolts (Items 1 and Item 2) per chart on Illustration 1.
4. Install new u-bolt bracket (Item 3) oriented with notched (slope) toward front of bus as shown in Illustration 1. Install spherical washers (Item 4) removed from step 1 above. If shock absorber brackets and/or stabilizer bar brackets were removed in Step 1, re-install these components.
5. Install new hardened flat washers (Item 5) and new nuts (Item 6) onto the u-bolts. Torque nuts to 300-350 FT.LBS. To prevent distortion of u-bolts, tighten alternately.
6. Repeat above steps for the other side of axle.
7. After both the Crewson Brunner slacks are installed correctly and the u-bolt brackets have been replaced, then make the final checks:
  - A. Have someone apply the service brakes. **Caution:** Keep hands, arm, etc away from slack adjuster and any other moving parts during brake application. Check for clearance between the slack adjuster and u-bolt bracket.
  - B. Apply the parking brake and check for clearance between u-bolt bracket and slack adjuster.

If there is clearance between the slack and adjuster, remove jack stands, and wheel chocks. If there is interference after completing the above procedures, call Bill Coleman at 478-822-2242.



**Parts List:**

Item	Part Number	Description	Qty	Application
1	1317874	U-Bolt, 3/4-16 x 17"	2	TCFE/CSFE
1	1897594	U-Bolt, 3/4-16 x 18"	2	CSRE/QBRE
1	1858075	U-Bolt, 3/4-16 x 20"	2	A3RE/A3FE
2	1317874	U-Bolt, 3/4-16 x 17"	2	TCFE/CSFE/A3FE
2	1897594	U-Bolt, 3/4-16 x 18"	2	CSRE/QBRE
2	0006632	U-Bolt, 3/4-16 x 19"	2	A3RE
3	0031424	Bracket, Rear Spring U-bolt, J-Series Axle	2	All Models
4	0018486	Washer, Spherical, .75"	8	All Models (Re-Use)
5	0607036	Washer, Flat, 13/16 x 1 3/8 x 7/64 ZP, HRD	8	All Models
6	0817965	Nut, Hex HD, 3/4-16, Yel ZN Dich.	8	All Models