



March 17, 2010

SERVICE MEMORANDUM NO. SM1001

MEMO TO: ALL BLUE BIRD DEALERS

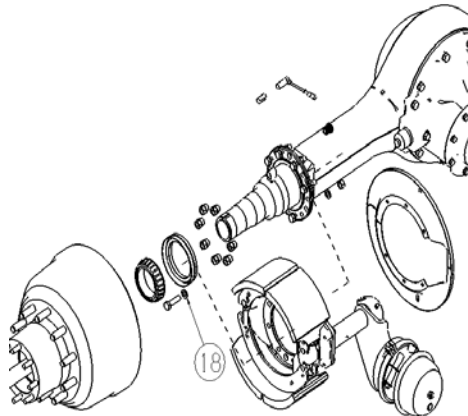
SUBJECT: BRAKE ASSEMBLY INSTALLATION WASHER

MODEL YEAR: ALL

MODELS AFFECTED: ALL AMERICAN, VISION

Flat washer part number 00929018, has a maximum thickness of .080 when purchased per current engineering specifications, The .080 is too thick for its application when replacing brake assembly parts.

A new flat washer part no. 10015901 has been set up with tighter tolerances and specifications. During rework of brake assembly parts, if new quantities of washer part no. 00929018 are required (see item 18 below), you must use washer part no. 10015901 in its place.



If you have any questions, contact your Field Service Representative.

Sincerely,

Bill Coleman

Bill Coleman
Blue Bird Engineering Services
bill.coleman@blue-bird.com
478-822-2242