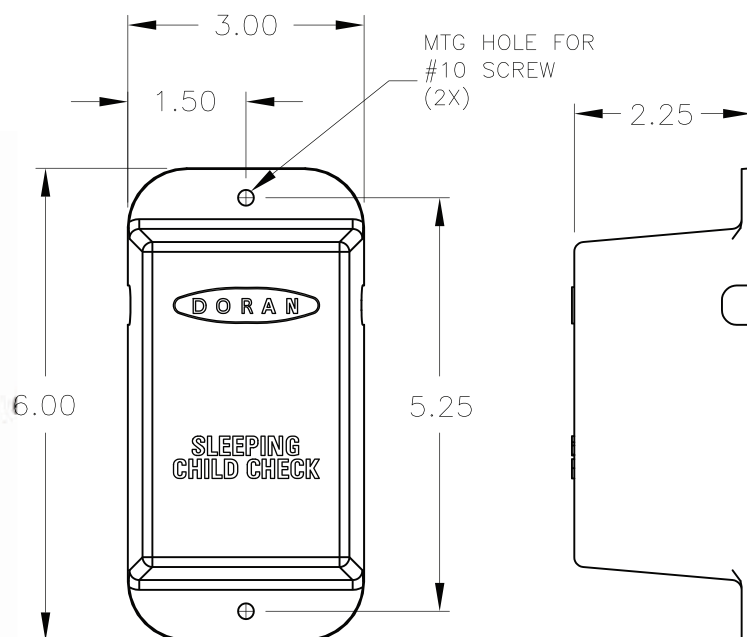


# Doran Sleeping Child Check

#SCC-AM

The new Sleeping Child Check from Doran Manufacturing forces school bus drivers to walk from the front of the bus to the back, greatly reducing the possibility of a child being left stranded on a bus at the end of the day.

Doran's unique monitoring system alerts the school bus driver by sounding a horn if the bus driver turns the ignition off and attempts to leave the vehicle without first walking to the back of the bus checking for sleeping children and pressing a switch to disarm the system.



## Specifications:

- Easy aftermarket and OEM installation
- Cost Effective enough to install on every bus
- No keys to keep or copy
- Uninterrupted / Unlimited time to check the bus for sleeping children
- Reduces the liability to the school district and the bus driver
- Electronic design with built-in circuit protection
- Automatic overhead lighting insures driver safety
- One minute & five minute timers optional (Part# SCC-AM-T1 & SCC-AM-T5)

\*Optional switch is required if air door equipped. (Part# SCC-AM-SW-00)

## Warranty

All Doran exterior remote light monitors are warranted against failure and workmanship when properly handled, installed and used for the intended purpose, for five years from date of purchase. Precise terms of warranty available to qualified users upon request.